

Model 6 Bag Filter Housings Sizes #7, #8, & #9 Strainers or Bag Filters: Your Choice!

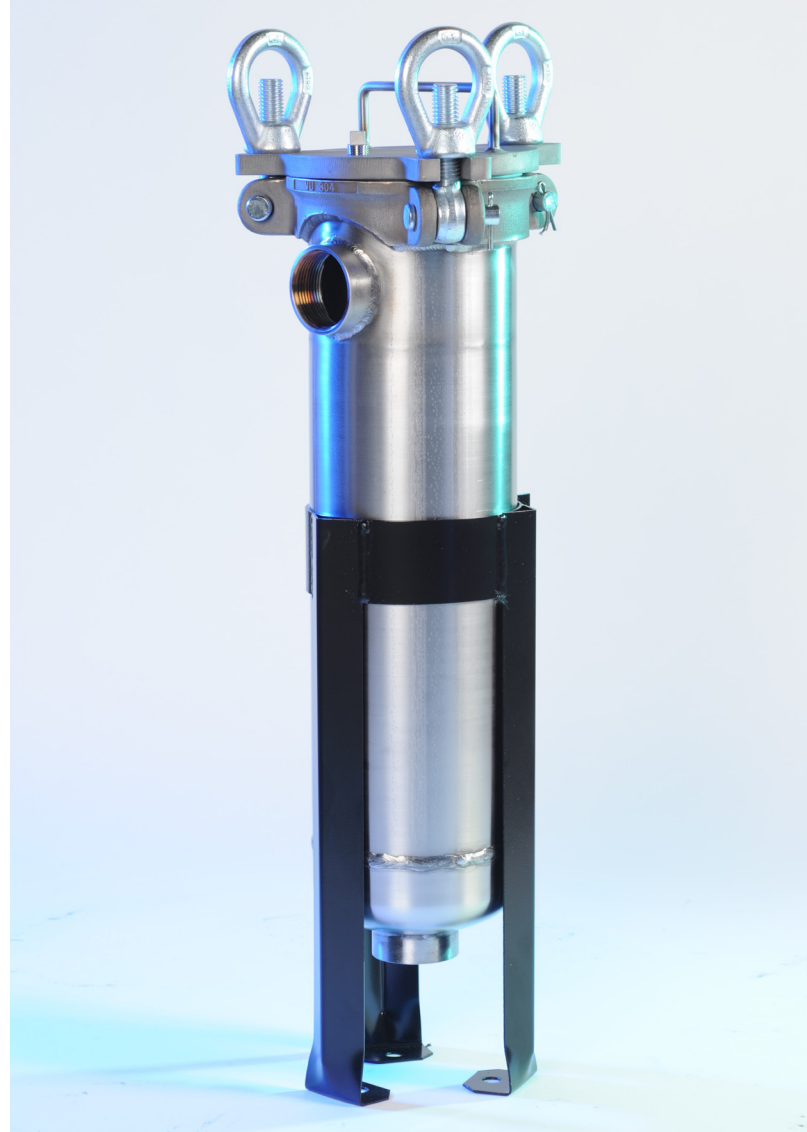
Model 6 strainer/filter housings are made in 3 sizes and can serve as basket strainers (for particle retention down to 74 micron size) or as bag filters (for particle retention down to 1 micron size). In all cases, covers are easily removed without special tools.

Features

- Low pressure drops
- Permanently-piped housings
- Covers are O-ring sealed
- Carbon steel or stainless steel (304 or 316) and aluminum construction for housings
- Easy to clean!
- Adjustable-height legs, standard
- O-Ring seals: Buna N, EPR, Viton®, teflon®
- Three basket depths: 12, 18, or 30 inches (nominal)

Options

- Sanitary connections
- Different outlet connections
- Extra-length legs
- Liquid displacers for easier servicing



Model shown in Stainless Steel



Choosing A Basket Strainer or Bag Filter

Choose between straining (removing particles down to 74 micron size) or filtering a fluid (removing particles down to 1 micron size). This will direct you to choose the correct basket when ordering.

Operation

Unfiltered liquid enters the housing above the bag or basket and passes down through them. Solids are contained inside the bag or basket, where they're easily and completely removed when the unit is serviced.

Fluid bypass around the basket is prevented because the outside diameter of the filter bag seals radially against the housing inside diameter. A single cover gasket is used to seal the opening, and covers can be installed and removed without tools.

Model 6 Pressure Drop Data

Basket strainer and bag filters are usually selected so that the pressure drop does not exceed 2 psi, when they are clean. Higher pressure drops may be tolerated, when contaminant loading is low. Bag change out should occur at 15 psid.

The pressure drop data is accurate for all housings with strainer or bag filter baskets. When bag filters are added, total pressure drop becomes the sum of the pressure drop as determined by the steps below.

	Viscosity, cps								
	1 (H ₂ O)	50	100	200	400	600	800	1000	2000
All unlined baskets	.65	.85	1.00	1.10	1.20	1.40	1.50	1.60	1.80
40-mesh lined	.73	.95	1.20	1.40	1.50	1.80	1.90	2.00	2.30
60-mesh lined	.77	1.00	1.30	1.60	1.70	2.10	2.20	2.30	2.80
80-mesh lined	.93	1.20	1.50	1.90	2.10	2.40	2.60	2.80	3.50
100-mesh lined	1.00	1.30	1.60	2.20	2.40	2.70	3.00	3.30	4.40
200-mesh lined	1.30	1.70	2.10	3.00	3.40	3.80	4.40	5.00	6.80

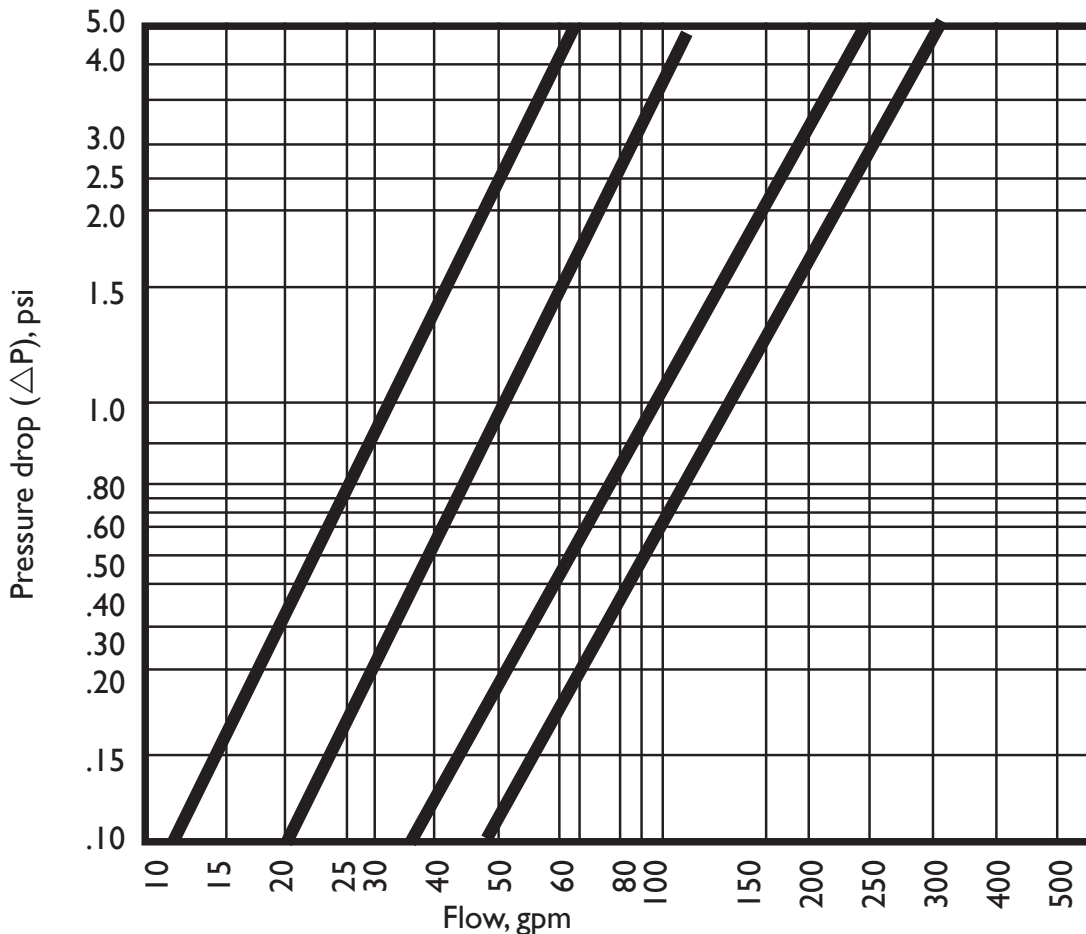
Follow these easy steps:

- 1) Using the desired pipe size and approximate flow rate, determine the basic pressure drop from the appropriate graph.
- 2) Multiply the pressure drop obtained in step 1 by the viscosity correction factor found in the accompanying table. This is the adjusted (clean) pressure drop for all baskets, without filter bags.
- 3) Add the pressure drop for the bag filter.

Basket Data

Depth Nominal (inches)	Diameter (inches)	Surface Area (sq. ft.)	Volume (cu. in.)	Bag Size No.
12	5	1.3	235	7
18	5	2.0	350	8
30	5	3.4	630	9

Model 6 — For flow rates to 100 gpm*



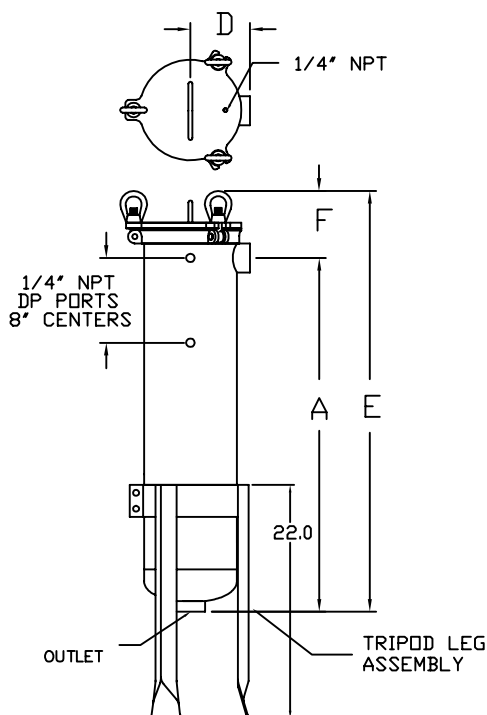
* Based on housing only. Fluid viscosity, bag filter used, and expected dirt loading should be considered when sizing a filter.

Model 6: Sizes #7, #8, & #9 — Available in three styles and four materials

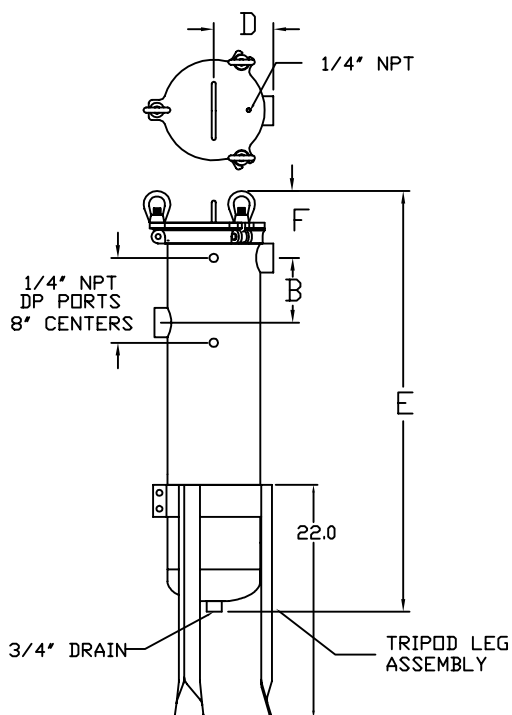
Carbon Steel

304-316 Stainless Steel

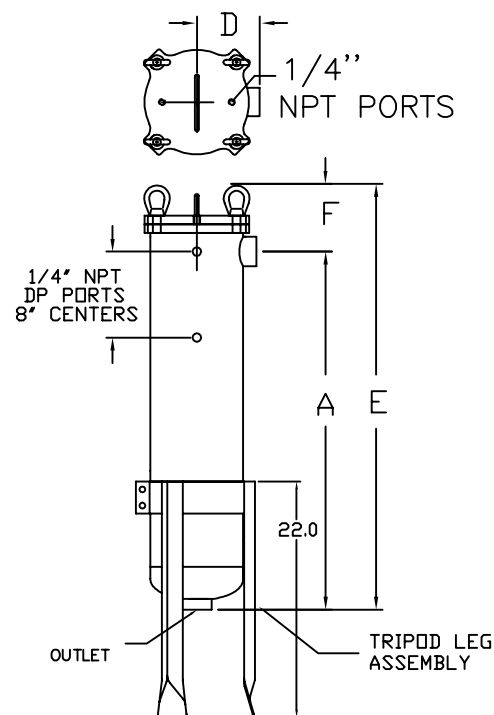
Aluminum



**Style 1
Bottom Outlet**



**Style 2
Side Outlet Top**



**Style 2B
Side Outlet
Bottom**

#7	Pipe Size	A	B	C	D	E	F
	In NPT						
SIZE 6-12	0.75	18.0	4.5	13	4.30	24.3	5.6
	1.00	18.1	4.5	13	4.30	24.5	5.7
	1.25	18.3	4.5	13	4.30	24.9	5.9
	1.50	19.3	4.5	13	4.30	25.6	6.1
	2.00	19.6	4.8	13	4.30	25.7	6.3
	3.00	20.1	6.3	13	4.30	26.8	6.9

#8	Pipe Size	A	B	C	D	E	F
	In NPT						
SIZE 6-18	0.75	22.5	4.5	27	4.30	28.7	5.6
	1.00	22.6	4.5	27	4.30	29.1	5.7
	1.25	22.8	4.5	27	4.30	29.3	5.9
	1.50	23.8	4.5	27	4.30	29.5	6.1
	2.00	24.0	4.8	27	4.30	29.7	6.3
	3.00	24.6	6.3	27	4.30	30.5	6.9

#9	Pipe Size	A	B	C	D	E	F
	In NPT						
SIZE 6-30	0.75	32.0	4.5	27.5	4.30	38.3	5.6
	1.00	32.1	4.5	27.5	4.30	38.5	5.7
	1.25	32.3	4.5	27.5	4.30	38.9	5.9
	1.50	33.3	4.5	27.5	4.30	39.6	6.1
	2.00	33.6	4.8	27.5	4.30	39.7	6.3
	3.00	34.1	6.3	27.5	4.30	40.8	6.9

Carbon Steel 304-316 Stainless Steel Aluminum

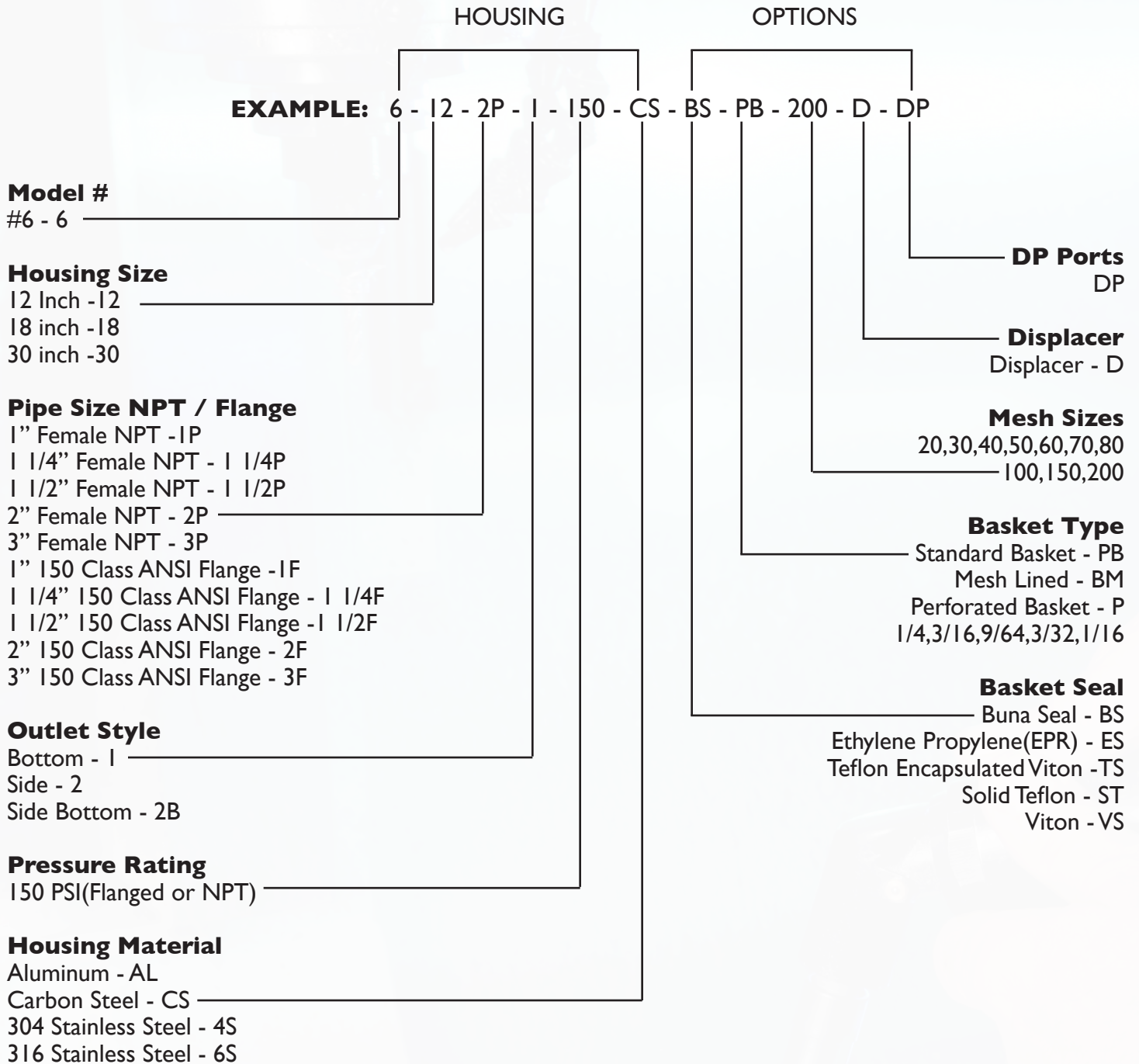
Standard Features

- Hinged Eye Bolt Cover (CS & SS)
- Eye Bolt Cover (Aluminum)
- 304 Stainless Basket
- Buna Seal
- 1/4" NPT Gauge Port
- Adjustable C.S. Legs

Options

- 316 Stainless Basket
- DP Ports
- O-Ring Seal Materials
- 304, 316 Adjustable Legs
- Flange Connections
- Sanitary Connections

How To Order Model 6: Size #7, #8 & #9 Filter Bag Housings



- * Aluminum Housings only available with Eye Bolt Covers
- * Carbon Steel & Stainless Housing only available with Hinged Eye Bolt Covers
- * All Filter Bag Housings come with Carbon Steel Legs & Standard 304 SS Basket
- * 304 Stainless & 316 Stainless Legs are available & 316 SS Baskets are available